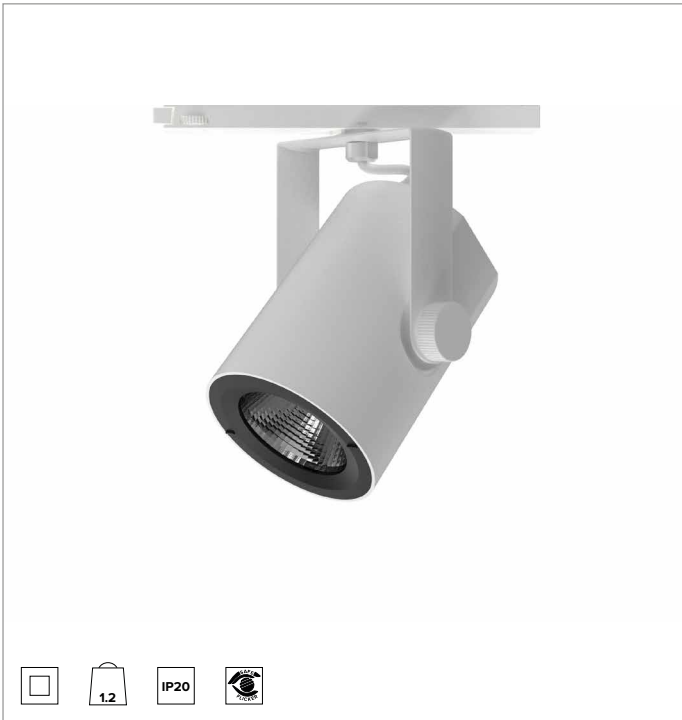
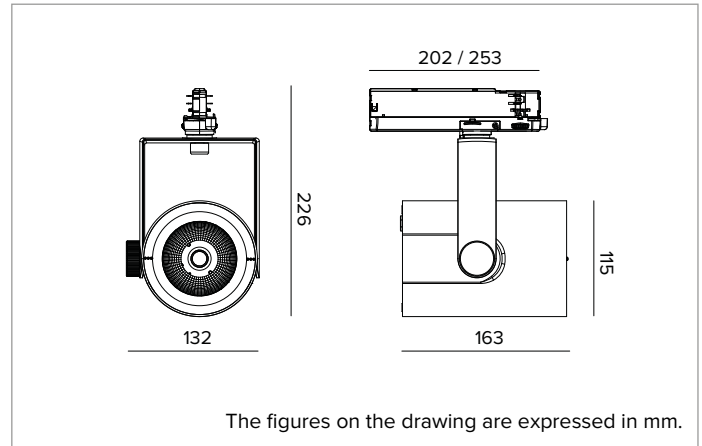


## T032SPR940DAPW | RAY 115

### Professional adjustable LED projector



	4000K	H(m)	D(m)	Emax(lx)
	Ra90		14°	
Fixture Power	41W	1	0.24	41563
Source Flux	5119lm	2	0.48	10391
Fixture Flux	4314lm	3	0.72	4618
Efficacy	104lm/W	4	0.96	2598
TS832	Imax=8119cd/klm	Imax	41563cd	5
			1.20	1663



#### SOURCE

High efficiency Chip on Board LED Ra90. Ra97 on request.

**Energy efficiency class:** E

**Nominal power:** 36W

**Nominal flux:** 5119lm

**Colour rendering index:** 90

**Rf:** 90

**Rg:** 98

**CCT nominal:** 4000K

**Lifetime (L80/B10):** >50000h tq +25°C

#### ILLUMINOTECHNICAL CHARACTERISTICS

Reflector with ellipsoidal facets in reflective anodised aluminium. Interchangeable reflectors available as accessories.

**Optic:** REFLECTOR

**Beam angles:** SP

**Optical efficiency:** 84%

**Fixture flux:** 4314lm

**Luminous efficacy:** 104lm/W

**Photobiological safety:** Compliant with RG1 low risk group

#### MECHANICAL CHARACTERISTICS

Painted die-cast aluminium body. Black painted polycarbonate front ring. Adjustable from 0° to -90° on the vertical plane and 359° on the horizontal plane. Mechanical beam locking system on the vertical plane and friction beam locking system on the horizontal plane. The centre of gravity always remains in axis with the track regardless of the aiming.

**Colour and finish:** Plaster white

**Dimensions:** 115

**Weight:** 1.2Kg

**Degree of protection:** IP20

#### ELECTRICAL CHARACTERISTICS

DALI electronic driver integrated into the track adapter.

**Fixture Power:** 41W

**Power supply:** 220-240Vac 50/60Hz

**Insulation Class:** CLASS 2

**Type of driver / Control:** DALI

**Driver included:** YES

**Class F:** YES

**SAFE FLICKER:** PstLM=<1 and SVM=<0.4 (IEC TR 61547-1 and IEC TR 63158), to ensure a more comfortable and safe light

**Ambient temperature:** 0°C / +25°C

#### INSTALLATION

Electrified track mounting. Optical accessories that can be installed with a support ring are available.

#### WARRANTY

5 years.

#### WARNING

Luminaire designed for disposal/recycling at end-of-life. Replaceable (LED only) light source by a professional. Replaceable control gear by a professional.

*Due to the technological evolution of the electronic components, the data provided may be updated, and as such, confirmation must be requested during the order process.*

*Luminous flux and power supply have +/-10% tolerances with respect to the indicated value. tq +25°C (CIE 121).*

*We reserve the right to make technical changes.*

Targetti Sankey S.r.l.  
Via Pratese, 164  
50145 Firenze - Italy  
Tel: +39 055 37911  
targetti.com  
targetti@targetti.com

CCIAA Firenze  
Share Capital:  
€ 500.000,00  
VAT N. (IT):  
01537660480  
R.E.A: FI-275656

**TARGETTI**

**T032SPR940DAPW | RAY 115**  
Professional adjustable LED projector

**Accessories**

**Cut-off**



Ø mm	Code
80	<b>1T3142</b>

Cut-off Tube.  
Allows for the beam to be focused while removing the fall-off component.

**Ray Shade**



Ø mm	Code
118	<b>A025</b>

Adjustable barn doors flaps made of black painted steel.

**Optic**



Ø mm	Optic	Code
80	SP 14°	<b>A057SPR</b>
80	FL 25°	<b>A057MFR</b>
80	MWFL 45°	<b>A057MWR</b>

Interchangeable anodised reflective aluminium reflectors.  
Available in Spot, Flood and Medium Wide Flood beams.

Due to the technological evolution of the electronic components, the data provided may be updated, and as such, confirmation must be requested during the order process.  
Luminous flux and power supply have +/-10% tolerances with respect to the indicated value. tq +25°C (CIE 121).

We reserve the right to make technical changes.

Targetti Sankey S.r.l.  
Via Pratese, 164  
50145 Firenze - Italy  
Tel: +39 055 37911  
targetti.com  
targetti@targetti.com

CCIAA Firenze  
Share Capital:  
€ 500.000,00  
VAT N. (IT):  
01537660480  
R.E.A: FI-275656

